

MOVE pedestals

Design by Gediminas Juška | Lithuania



Desk pedestal

FEATURES

- One fixed size;
- Left or right;
- Fixed to the desk leg;
- High quality wood veneer with HPL Fenix;
- Suitable for sit-stand and fixed desk versions.

TECHNICAL INFORMATION

Carcass

- 18 mm chipboard covered in wood veneer;
- 18 mm MFC (melamine) with 0,5 / 1 mm ABS edging, black colour by default;
- 18 mm MDF covered in wood veneer with 0,5 mm edging;
- Milled top panel for convenient drawer opening;
- Natural wood / 0,5 mm veneer lacquered edging.

Drawers

- 18 mm plywood covered in HPL with lacquered plywood edging;
- 18 mm plywood covered in wood veneer with lacquered plywood edging;
- 15 mm chipboard covered in wood veneer with 0,5 / 1,5 mm edging;
- Pencil drawer bottom is milled and covered in black leather;
- Full extension runners with soft closing mechanism;
- Drawer load capacity – 10 kg.
- Removable bottle stand inside the bottom drawer (9 mm plywood covered in wood veneer).

Leg

- 16 mm chipboard covered in HPL Fenix with 1 mm ABS edging;
- Black plastic height levelling feet, H= 10 mm (+10 mm).



Pedestal with two drawers

FEATURES

- One fixed size;
- Two drawers;
- Free standing, if additional counterweights are ordered;
- High quality wood veneer with HPL Fenix.

TECHNICAL INFORMATION

Carcass

- 18 mm chipboard covered in wood veneer;
- 18 mm MFC (melamine) with 0,5 / 1 mm ABS edging, in black colour by default;
- 18 mm MDF covered in wood veneer with 0,5 mm edging;
- Milled top panel for convenient drawer opening;
- Natural wood / 0,5 mm veneer lacquered edging.

Drawers

- 18 mm plywood covered in wood veneer with lacquered plywood edging;
- 15 mm chipboard covered in wood veneer with 0,5 / 1,5 mm edging;
- Full extension runners with soft closing mechanism;
- Drawer load capacity – 10 kg.

Leg

- 16 mm chipboard covered in HPL Fenix with 1 mm ABS edging;
- Black plastic height levelling feet, H= 10 mm (+10 mm).

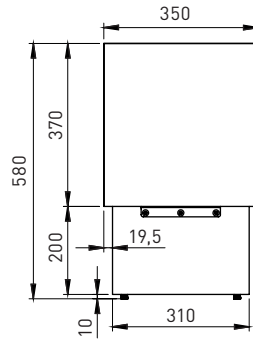
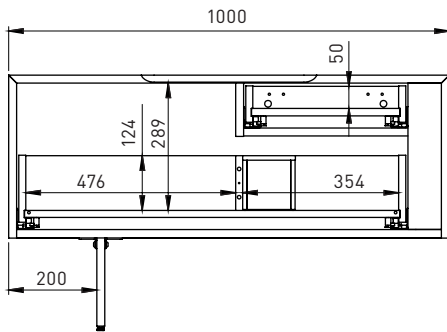
MATERIALS

- HPL Fenix: H16 (black), H17 (grey);
- Veneer: V1 (ash), A (oak), R (walnut).

GUARANTEE

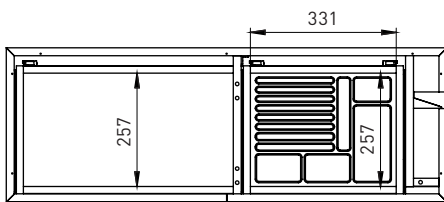
- 5 years

RANGE

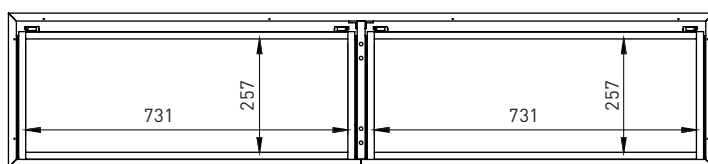
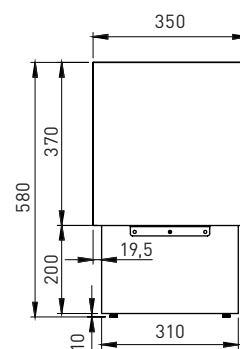
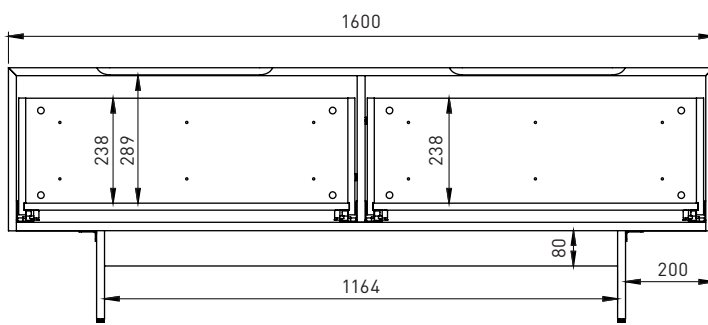


Desk pedestal

L/H, R/H



Drawers inserts included in the desk pedestal



Pedestal with two drawers

Optional (only for pedestal with two drawers)



File rails



Counterweights

ADDITIONAL INFORMATION



- Desk pedestals (BVF100-101) are not free standing and must be fixed to the desk leg (left or right) with screws. Please follow the assembly instructions (included in the package).



- Pedestal drawers are without handles. There is a special milling made for convenient opening.



- Both pedestal drawers can be converted into file drawers (file rails must be ordered separately). Pedestal rail system is universal and suitable for EU / UK / US file standards.



- Pedestal BVF160 must be fixed to the wall (fittings included in the package). In order to have a free standing pedestal counterweights must be ordered separately.