

# PLANA executive desks

Design by Roberto Lucci and Paolo Pampanoni | Italy



## FEATURES

- High quality wood veneer or impact-resistant melamine, combinations
- Solid thick tabletop and elegant legs from folded steel band with rounded edges
- Grommet with metal frame and box for power socket for simple wire management
- Easy assembling

## TECHNICAL INFORMATION

### 8 types of desks

- R/H and L/H;
- R/H and L/H with modesty panel;
- R/H and L/H with fixed pedestal;
- R/H and L/H with modesty panel and fixed pedestal.

### Supplementary unit

- Affixed with plates to the longer edge of the desktop;
- 1400x800 mm, H=750 mm.

### Desktop

- 36 mm MFC (melamine) with 2 mm ABS edging;
- 37 mm chipboard covered in wood veneer with 1,5 mm edging;
- Grain direction runs the length of the desktop;
- 1800 x 900 / 2200 x 900 mm;
- Desk height – 750 mm;
- 420 x 140 mm cut-out for grommet and power socket box.

### Modesty panel

- 36 mm MFC (melamine) with 2 mm ABS edging;
- 37 mm chipboard covered in wood veneer with 1,5 mm edging.

### Legs

- Folded steel band - 60 x 10 mm;
- Powder coated metal or polished chrome;
- Hard felt pads glued to the bottom of the legs, H=10 mm;
- Fastened with screws ("metal to metal").

### Rectangular grommet with metal frame

- 18 mm MFC (melamine) or 19 mm chipboard covered in wood veneer matching the desktop;
- Grommet dimensions - 380 x 135 mm;
- Hinges with soft closing;
- Folded steel band metal frame – 12 mm width on top;

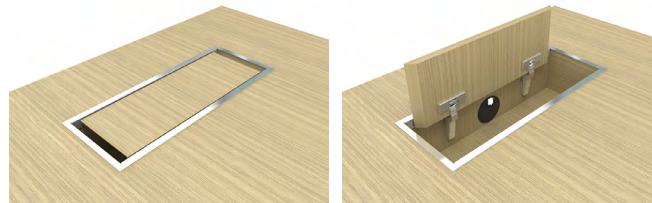
- Metal frame dimensions - 445 x 170 mm;
- Powder coated metal or polished chrome.

### Box for power socket block

- 16 mm MFC (melamine) or chipboard covered in wood veneer matching the desktop;
- Inside dimensions – 420 x 145 mm, H=115 mm (incl. desktop);
- Round black plastic cable port at the centre of long side, Ø 60 mm.

### Fixed pedestals

- 900 x 600 mm with two drawers and a pull-out drawer for suitcase, handbag or computer case;
- L/H (left) or R/H (right);
- Base leg made of folded steel band - 60 x 8 mm;
- H=615 mm (carcass – 500 mm; base leg – 115 mm);
- Other technical information matches the one covered in page 196 "PLANA pedestals".



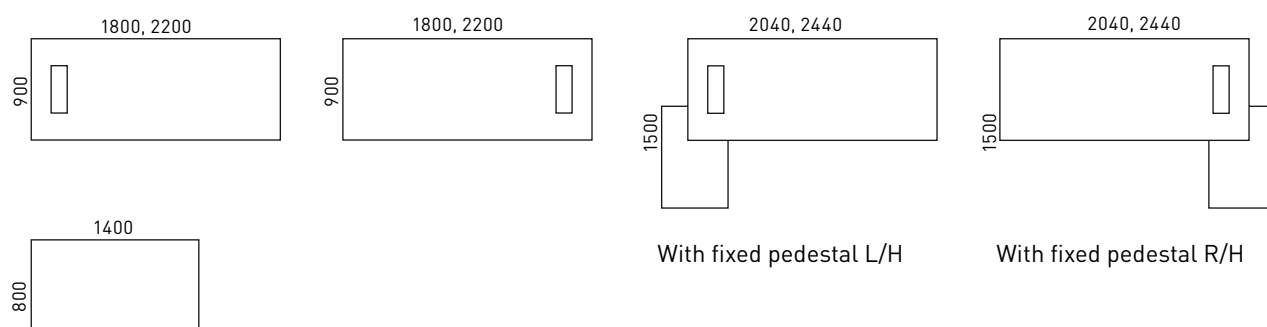
## GUARANTEE

- 5 years

## MATERIALS

- Melamine (combinations available): M1 (white), D1 (whitened oak), D2 (amber oak), U (walnut), N1 (dark grey);
- Veneer: A (oak), R (walnut);
- Metal: E (white), T1 (dark grey), S1 (bronze), H (chrome).

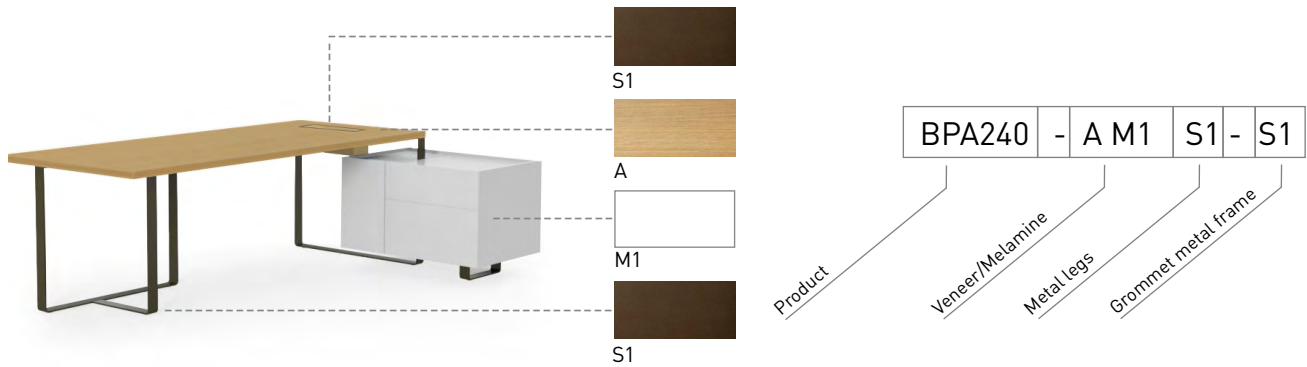
## RANGE



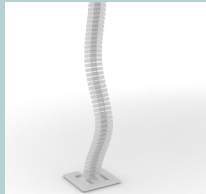
Supplementary unit

## ORDERING EXAMPLE

## Code structure



## Optional

Power socket  
blocks

Cable ducts



Leather table mats